

MODELS DV5932H DV5935H DV5937H DV6635H

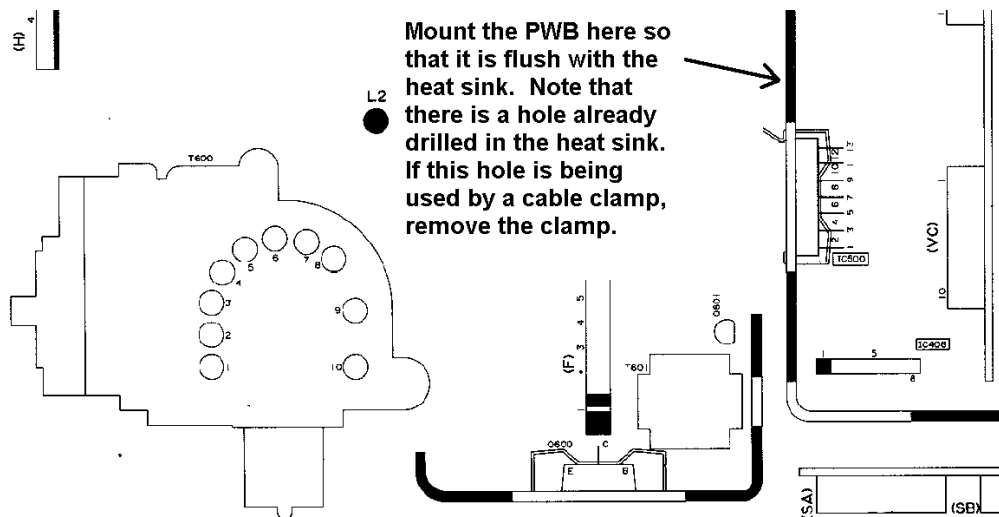
SYMPTOM In some instances it is possible for C619 and associated line scanning coil earth return components to fail. This may result in a hole being burnt in the PWB.

CAUSE Failure of L603 and C619.

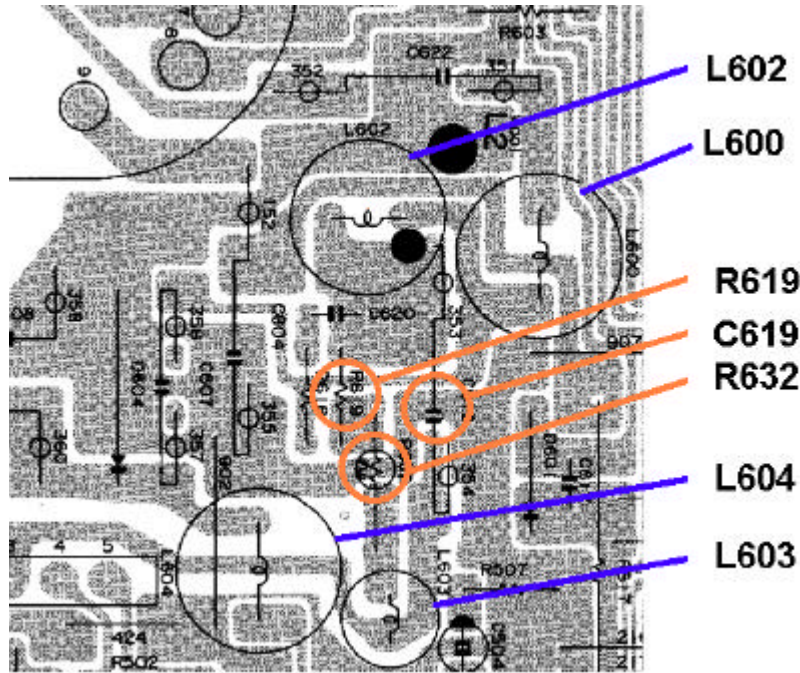
ACTION If a problem is experienced in this area, take the following remedial action.

- 1) Remove R619, R632 and C619 from the PWB.
- 2) Clean the PWB in the area of the above components (remove any carbonised material as necessary).
- 3) Fit PWB (DUNTK7297BMZZ) in the place of R619, R632 and C619 as show in the diagram on below. Note that this PWB comes with a nut and bolt so that it can be mounted on the vertical output IC heat sink.
- 4) Replace L600, L602, L603 and L604.
- 5) Reflow all solder joints on the scanning coil PWB.

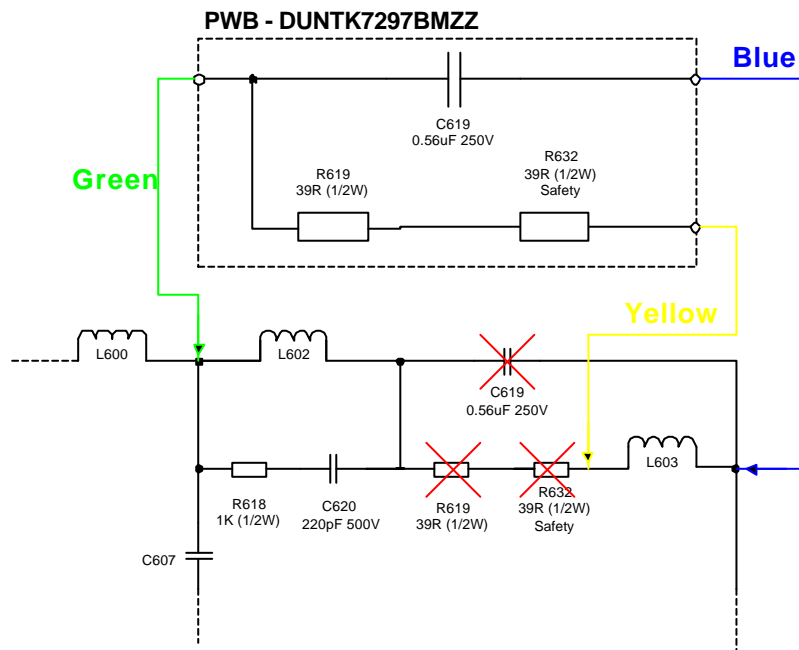
<u>REF NO</u>	<u>DESCRIPTION</u>	<u>PART NUMBER</u>	<u>PRICE CODE</u>
-	PWB	DUNTK7297BMZZ	AL
L600	Coil	RCILP0105CEZZ	AG
L602	Delay Line	RCILZ0599CEZZ	AG
L603	Peaking Coil	RCILP0088CEZZ	AG
L604	Coil	RCILP0104CEZZ	AG



Location of PWB



Component Locations on Mother PWB



Connection of PWB – Note that C619, R619 and R632 must be removed from the Mother PWB before connecting PWB DUNTK7297BMZZ